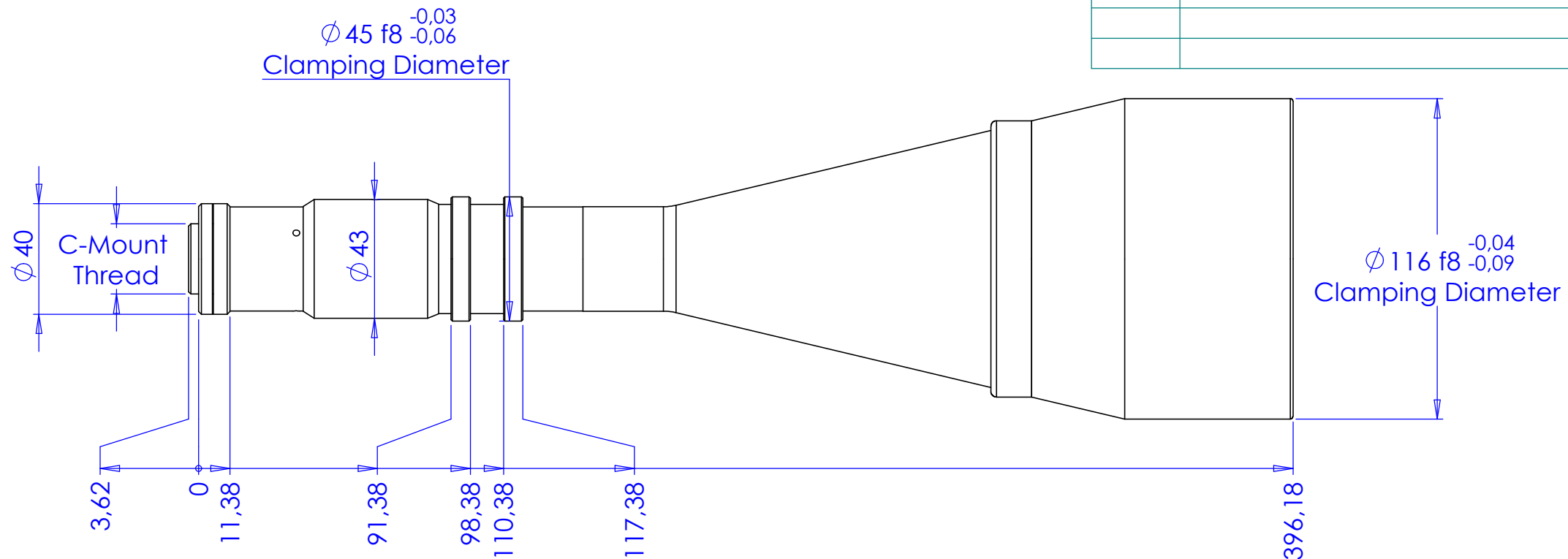
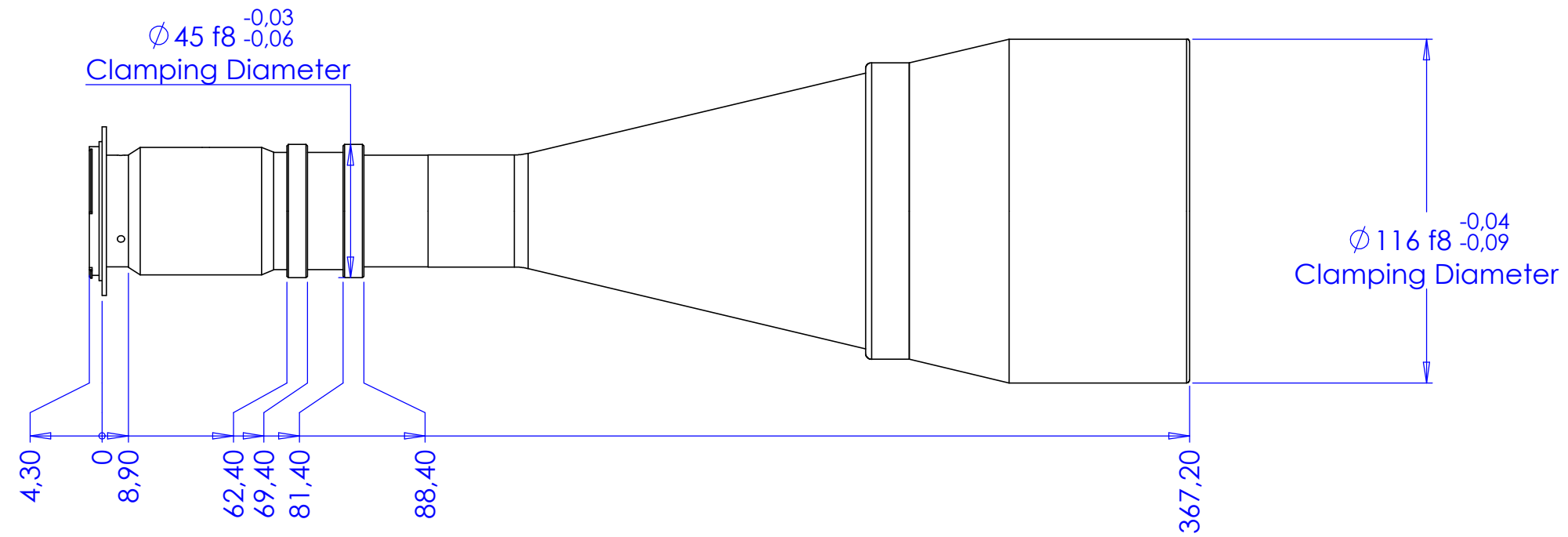


Rev No.	Description	Date	Name
A	New Part	05/05/2003	A.Vismara



TC 4M 80/C
C-Mount



TC 4M 80/F
F-Mount

Material	N.A.		Mass	1365 g	Scale	1:2
Surface treatment	N.A.		Project-Prod.item/Instrument TC 4M 80			
Geometrical tolerance (ISO 2768-2)		Class	K	Undimensioned bevels	0.5x45°	
Linear tolerance (ISO 2768-2)		Class	m	Undimensioned radii	R 0.5	
0.5	>3±	>6±	>30±	>120	>400±	>1000
±3	6	30	120	±400	1000	±2000
±0.1	±0.1	±0.2	±0.3	±0.5	±0.8	±1.2
				Date	Name	Drawing No.
		Designed	17/07/2006	A.Vismara	21568-0-A	
		Draw	17/07/2006	A.Vismara	1/1	
		Checked	X	C. Sedazzari	Reproduction forbidden without specific authorization	
OPTO ENGINEERING S.r.l. - 46100 Mantova Italy - Via Cremona, 29/2 - Tel. +39 0376 263525 - e-mai: info@opto-engineering.com - http://www.opto-engineering.com						